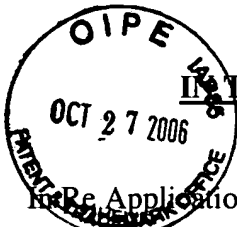


C9C



THE UNITED STATES PATENT AND TRADEMARK OFFICE

Re Application No.:	09/830,096	Patent No.:	7,114,407
Filing Date:	November 6, 2002	Issue Date:	October 3, 2006
Applicant:	Eric Colin	Group Unit:	3682
Attorney Docket:	60130-1064	Examiner:	Fenstermacher, David
For:	ACTUATOR ASSEMBLY		

COMMISSIONER OF PATENTS
P.O. BOX 1450
ALEXANDRIA, VA 22313-1450

REQUEST FOR CERTIFICATE OF CORRECTION

Dear Sir:

Enclosed is a Certificate of Correction for the above-identified US Patent. The patent was erroneously printed by the Patent Office with the informal drawings. Please replace the drawings in the patent with the attached, formal drawings which were previously submitted on February 11, 2004.

The errors are not believed to be ours and we do not believe any fee is due at this time. If any fee is due you are hereby authorized to charge Deposit Account No. 50-1482 in the name of Carlson, Gaskey & Olds. Consideration is respectfully requested.

Certificate

OCT 31 2006
of Correction

Respectfully submitted,

CARLSON, GASKEY & OLDS, P.C.

John M. Siragusa, Reg. No. 46,174
400 West Maple Road, Suite 350
Birmingham, Michigan 48009
(248) 988-8360

Date: October 24, 2006

NOV - 1 2006

CERTIFICATE OF MAILING

I hereby certify that this document is being deposited with the United States Postal Service as First Class Mail, postage prepaid, in an envelope addressed to the Commissioner of Patents, P.O. Box 1450, Alexandria, VA 22313-1450, on October 24, 2006.

Amy M. Spaulding

**UNITED STATES PATENT AND TRADEMARK OFFICE
CERTIFICATE OF CORRECTION**Page 1 of 1

PATENT NO. : 7,114,407
APPLICATION NO.: 09/830,096
ISSUE DATE : October 3, 2006
INVENTOR(S) : Eric Colin

It is certified that an error appears or errors appear in the above-identified patent and that said Letters Patent is hereby corrected as shown below:

Claim 1, Column 3, lines 10-11: Delete --for movement--

Claim 14, Column 4, line 9: "scaled" should be --sealed--

Claim 15, Column 4, line 12: "cooperating" should be --co-operating--

MAILING ADDRESS OF SENDER (Please do not use customer number below):

Carlson, Gaskey & Olds PC
400 West Maple, Suite 350
Birmingham, MI 48009

This collection of information is required by 37 CFR 1.322, 1.323, and 1.324. The information is required to obtain or retain a benefit by the public which is to file (and by the USPTO to process) an application. Confidentiality is governed by 35 U.S.C. 122 and 37 CFR 1.14. This collection is estimated to take 1.0 hour to complete, including gathering, preparing, and submitting the completed application form to the USPTO. Time will vary depending upon the individual case. Any comments on the amount of time you require to complete this form and/or suggestions for reducing this burden, should be sent to the Chief Information Officer, U.S. Patent and Trademark Office, U.S. Department of Commerce, P.O. Box 1450, Alexandria, VA 22313-1450. DO NOT SEND FEES OR COMPLETED FORMS TO THIS ADDRESS. SEND TO: Attention Certificate of Corrections Branch, Commissioner for Patents, P.O. Box 1450, Alexandria, VA 22313-1450.

If you need assistance in completing the form, call 1-800-PTO-9199 and select option 2.

NOV - 1 2006

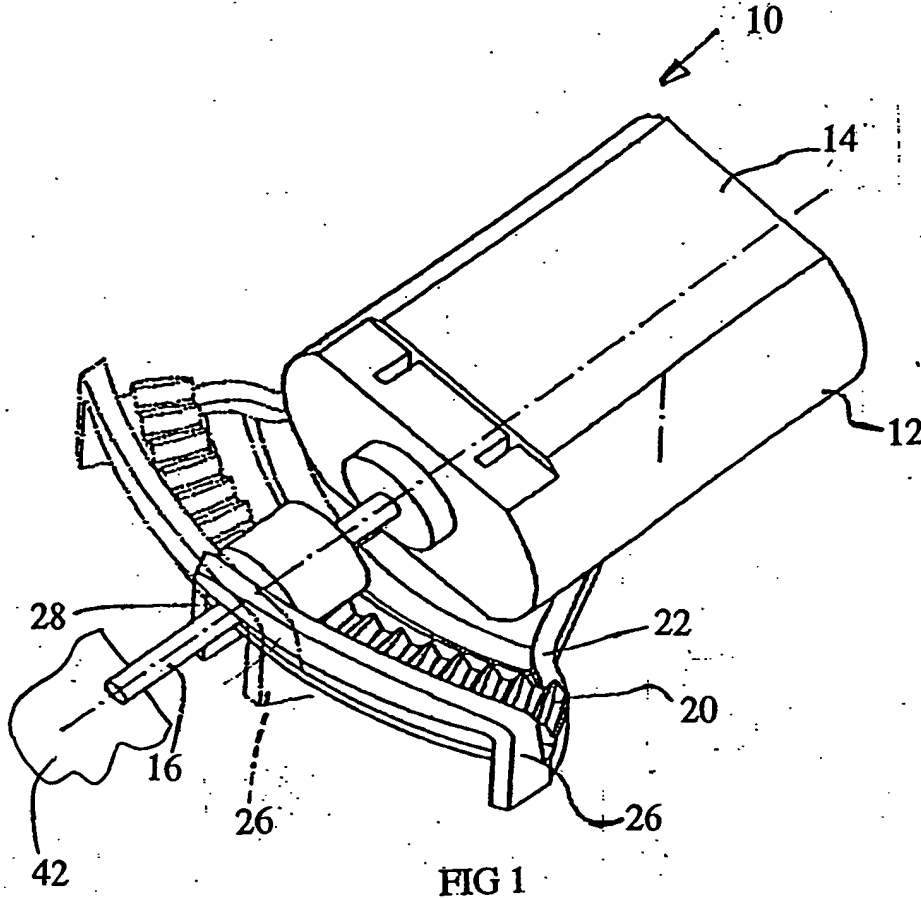


FIG 1

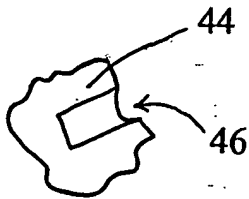


FIG. 1A

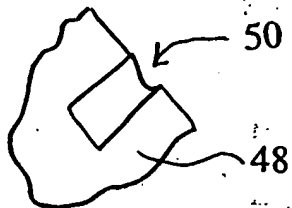


FIG. 1B

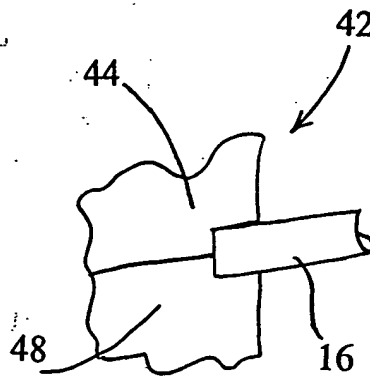
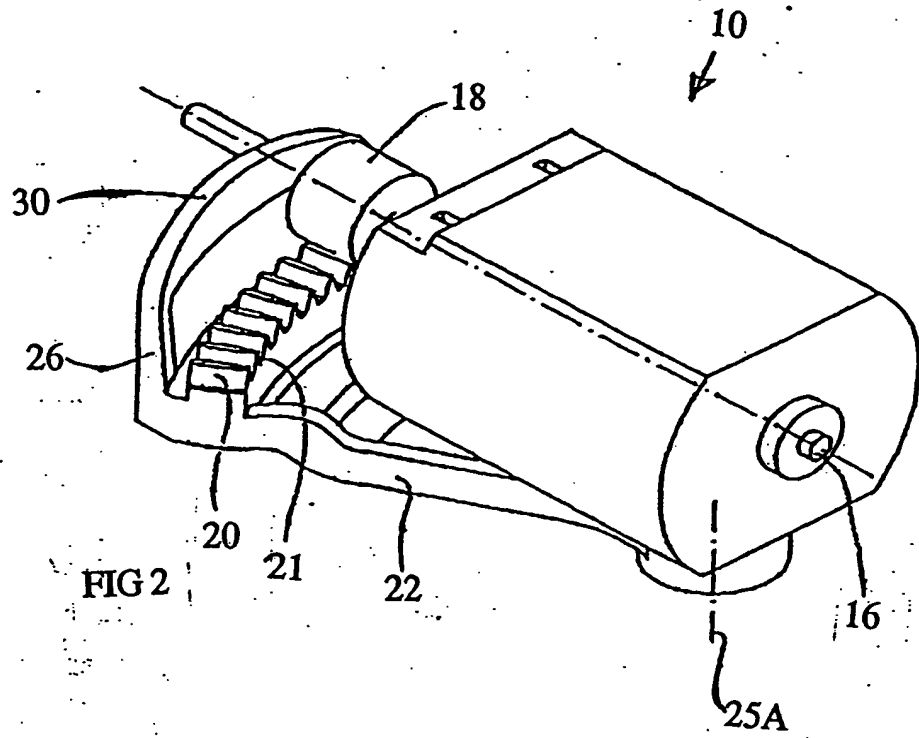


FIG. 1C



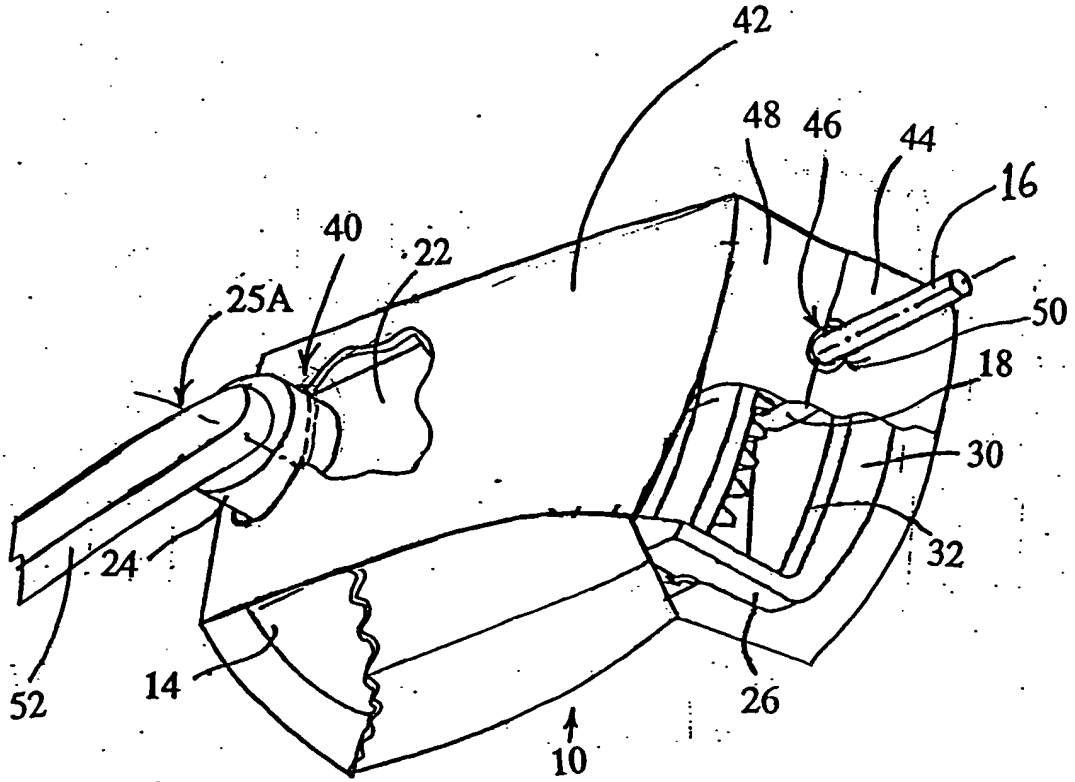


FIG 3